



# CAN CUT®

THE EASIEST WAY TO SLICE BAGELS & BUNS

by  
**BLOEMHOF INC.**



Model CC shown  
PATENTED

## THE EASIEST WAY TO SLICE BAGELS & BUNS

The new CanCut® Bagel & Bun Slicer automatically slices a wide variety of crusty rolls, buns, bagels and croissants cleanly and efficiently while saving your hands from injury. Simple to use, just load the hopper and the CanCut® Slicer does the rest.

- **Fast:** automatic drop-n-cut system enables staff to multitask as the CanCut® slices – serve many more customers per hour. Slices 24 bagels per minute.
- **Safe:** Eliminates cuts, lacerations, repetitive stress injuries and reduces employee stress.
- **Clean Cuts:** prevents crushing and tearing; perfect product toasting every time.
- **Versatile:** cuts a wide variety of crusty bread and bun products including bagels, croissants, hoagies, demi-baguettes, ciabatta buns, English muffins, crusty buns & subs\*.
- **Compact:** uses less space than a cutting board.
- **Sanitary:** CSA Certified to NSF/ANSI 8, removable cutting assembly is dishwasher safe.
- **Quiet:** auto-start/stop – only runs when cutting.

*\*Note: Not suitable for warm, soft, par baked or frozen products*

[www.cancut.net](http://www.cancut.net) [www.bloemhof.com](http://www.bloemhof.com)

**CanCut® is Ideal for: Quick Service Restaurants - Caterers - Convenience Stores - Grocery Stores - Bakery Cafes - Hotels - Bagel Stores – Delicatessens - Airports - Hospitals**

# CAN CUT<sup>®</sup>

THE EASIEST WAY TO SLICE BAGELS & BUNS

All  
Stainless  
Steel Construction

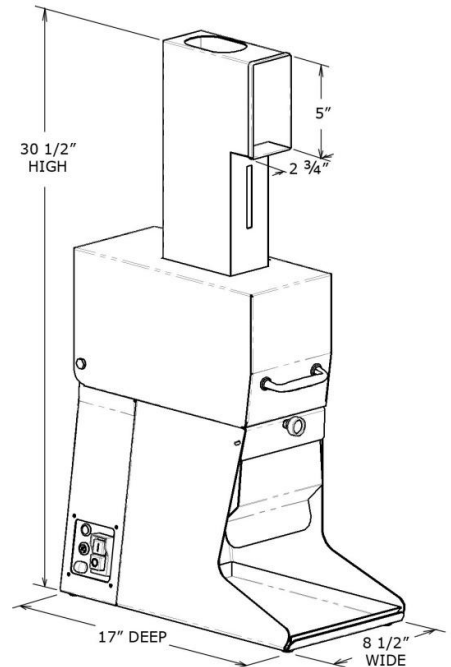
## 5 GOOD REASONS TO USE CANCUT:

- 1) Fastest and safest way to cut bagels, crusty buns & croissants. Just drop the product into the chute, CanCut<sup>®</sup> does the rest. Automatically starts & stops, only runs when cutting and has a triple safety system.
- 2) Reduce slicing related injuries; hand cuts, lacerations and repetitive stress injuries while lowering employee stress and anxiety about cutting themselves.
- 3) Faster customer service, improve employee productivity through multitasking, eliminate station fatigue.
- 4) Commercial durability, heavy duty stainless steel construction, uses a minimum of counter space.
- 5) Easy to clean design with a dishwasher safe removable cutting assembly and crumb tray. The work area stays clean as crumbs stay in the tray and not on the counter.



### Technical Specifications:

- All stainless steel construction
- Slices crusty bread products, buns & bagels up to 5" diameter, 2-3/4" high and up to 12" long.
- Easily replaceable long life blades.
- Certified to the US and Canadian Electrical standards 115V/60Hz/0.62 amp
- Certified to NSF/ANSI 8, removable cutting assembly is dishwasher safe.
- Conforms to CSA Z432.04 & OSHA safety codes



No More Cuts

 **BLOEMHOF INC.**  
[www.bloemhof.com](http://www.bloemhof.com)

12503-62<sup>nd</sup> Street NW, Edmonton, AB T5W 4W9

Call Toll Free 1-888-411-2131

Ph.780-476-2131 Fax 780-476-7813

[www.cancut.net](http://www.cancut.net)

Weight 37 lbs (17kg), UPS/FedEx shippable.  
Shipping Box 19"x11"x32"h 42 lbs (19Kg)